

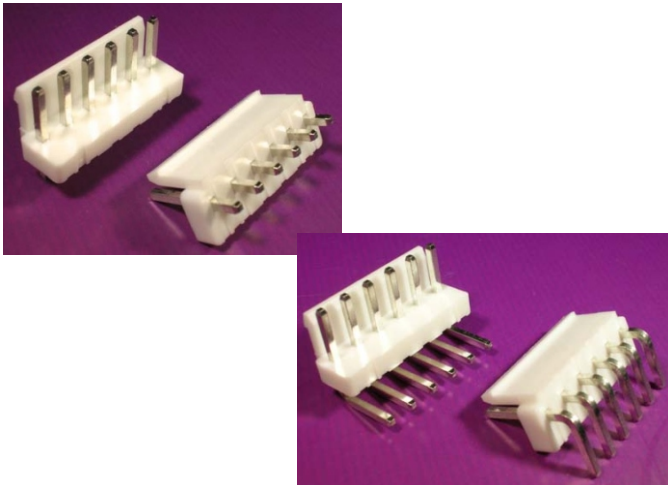
Specifications

Electrical

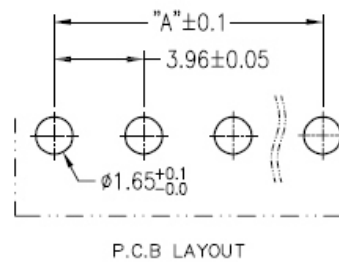
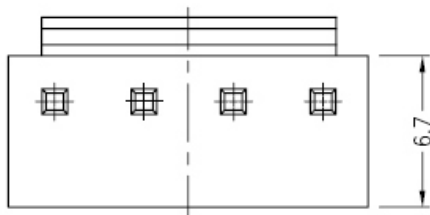
Voltage Rating: 250VAC
 Current Rating: 7.0A
 Contact Resistance: 10mΩ MAX
 Dielectric Withstanding Voltage: 1500VAC/1 min.
 Insulation Resistance: 1000MΩ min.

Material and Finish

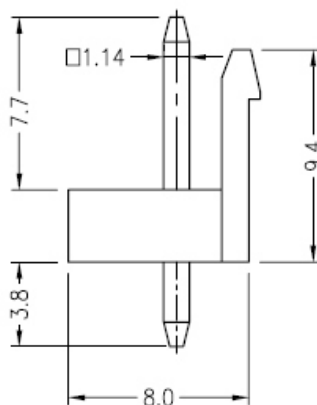
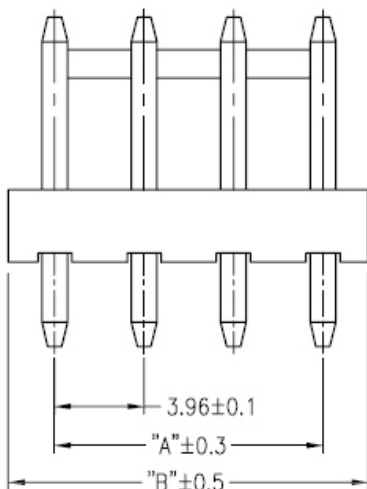
Circuits: 2~12
 Insulator: PA66 UL 94V-0
 Color: Natural
 Contact: Brass 1.14mm (0.45") Square Wire Pins
 Plating: Tin Plated
 Temperature Range: -25°C ~ +85°C



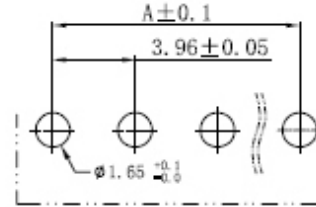
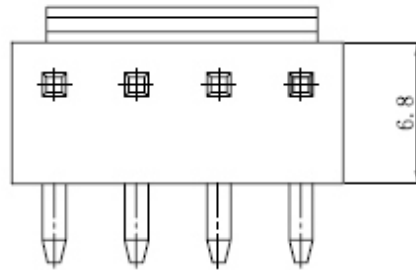
Straight Pins



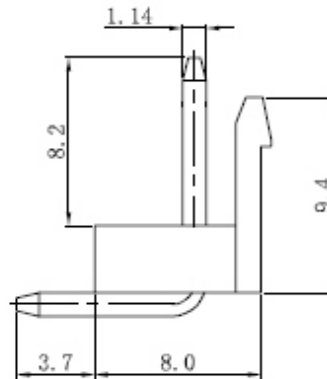
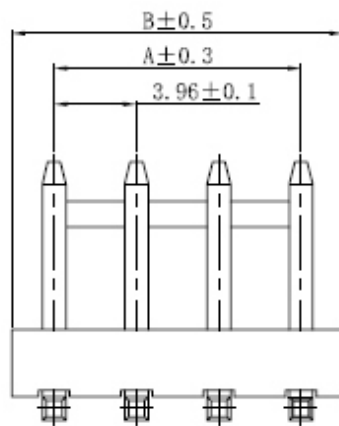
Poles	DIM.A	DIM.B
2	3.96	8.02
3	7.92	11.98
4	11.88	15.94
5	15.84	19.90
6	19.80	23.86
7	23.76	27.82
8	27.72	31.78
9	31.68	35.74
10	35.64	39.70
11	39.60	43.66
12	43.56	47.62



Right Angle Pins



P. C. B. LAYOUT



Poles	Dimensions(mm)		Poles	Dimensions(mm)	
	A	B		A	B
2	3.96	8.02	8	27.72	31.78
3	7.92	11.98	9	31.68	35.74
4	11.88	15.94	10	35.64	39.70
5	15.84	19.90	11	39.60	43.66
6	19.80	23.86	12	43.56	47.62
7	23.76	27.82			

JVT1120 W NO - 02 SN R - D
 1 2 3 4 5 6 7 8

- 1 = SERIES
- 2 = PRODUCT TYPE
- 3 = MATERIAL RATING
- 4 = # PINS
- 5 = PLATING
- 6 = PIN TYPE
- 7 = SPECIAL CODE
- 8 = INTERNAL CODE

PLATING OPTIONS PIN TYPES

G0 = Gold Flash

SN = Tin

of PINS

2 - 12

MATERIAL RATING

NO = UL 94V-0

N2 = UL 94V-2

BLANK = Straight

R = Right Angle

PRODUCT TYPE

W = Wafer

H = Housing

SPECIAL CODE

example:

GR = green color