

ELECTRICAL

Wire Range	24-12AWG
Rated Current	10A
Rated Voltage	300V
Withstanding Voltage	2000VAC/1min

MECHANICAL

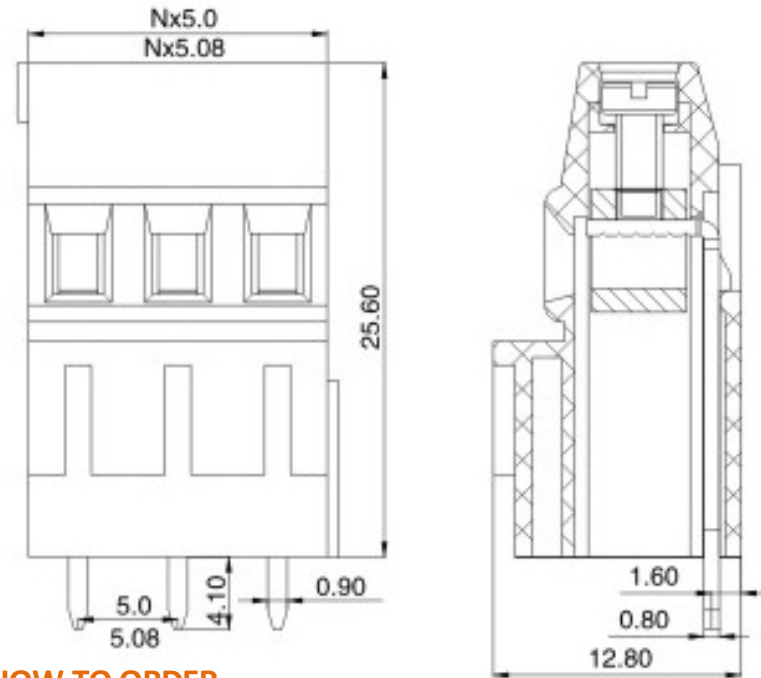
Temperature Range	-40C ~ +105C
Max Soldering	+250C for 5 sec
Torque	0.4Nm(3.5 lbs/in)

MATERIAL

Housing	PA66 UL94V-0
Pins	Tin Plated brass
Wire Cage	Ni-plated brass
Screws	M2.5, Zinc-plated steel

DIMENSION

Poles	2 or 3 poles (assembled for more poles)
Pitch	5.0/5.08mm



HOW TO ORDER



Model

Pitch

Poles

Pitch

1 = single pitch
2 = double pitch

Color

1 = Gray
2 = Blue
3 = Black
4 = Green
5 = Orange
6 = Red
7 = Transparent
8 = Yellow
9 = White

special request